



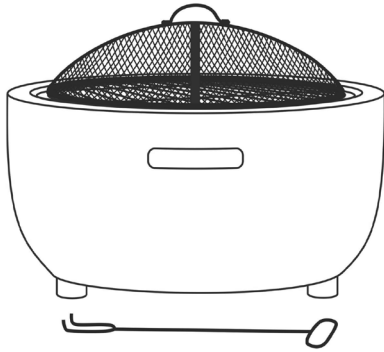
GW511

---

# MGO Firepit/BBQ

Information for use \_\_\_\_\_





## WARNING: FOR OUTDOOR USE ONLY

Before using this product, make sure you have read and understand the information provided in the following important instructions. Failure to follow these instructions and improper installation, adjustment, alteration or maintenance can cause serious injury or death and property damage. Retain these instructions for future reference.

### Parts



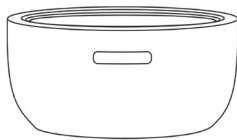
1 (1x)



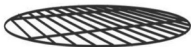
2 (1x)



5 (1x)



6 (1x)



3 (1x)



4 (1x)

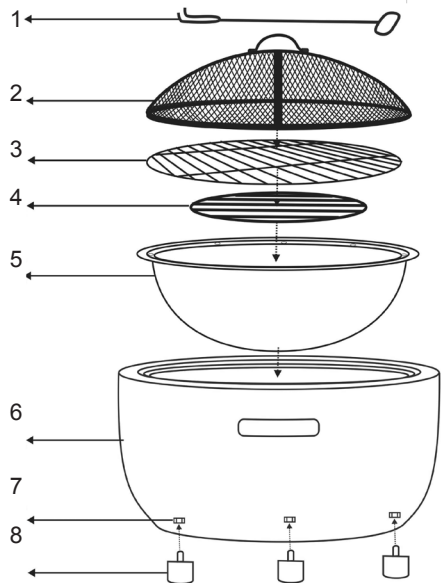


7 (3x)



8 (3x)

### Assembly



- 1 Attach the feet (8) to the MGO body (6) using the nuts and tighten to secure.
- 2 Place the MGO body on a permanent flat, level, heat resistant, non flammable surface away from flammable items.
- 3 Place the firebowl (5) into the MGO body (6).
- 5 Place the log grate (4) inside the firebowl (5).
- 6 Place the grill shelf (3) in to the firebowl (5).
- 7 Place the mesh cover (2) on the firebowl (5).

**Your product is now ready to use, but please ensure you have read these instructions thoroughly prior to use.**

## Important safeguards

- 1 This product is for outdoor use only and should not be used in a building, garage or any other enclosed area. Toxic carbon monoxide fumes can accumulate and cause asphyxiation.
- 2 Please note this product is designed just for cooking food and as a heater.
- 3 This product is not for commercial use.
- 4 This product should only be used by adults and all children and pets should be kept at a safe distance.
- 5 Do not use petrol, white spirit, lighter fluid, alcohol or other similar chemicals to light a fire as a rapid increase in temperature could damage this product. This product is only suitable for use with charcoal, untreated wood or dry logs. Do not use coal.
- 6 Do not use this product until it is completely assembled and all parts are securely fastened and tightened.
- 7 Do not use the product on decking or any other flammable surfaces such as dry grass, wood chips, leaves.
- 8 Always empty this product after use. Leave a thin layer of ash to protect the bottom. Do not remove ashes or charcoal until they are completely and fully extinguished.
- 9 Do not touch this product until it is completely cooled unless you are wearing heat resistant gloves as it is hot when in use.
- 10 Do not handle or move this product when in use as it is hot.
- 11 Do not handle this product through the holes in the MGO body when in use.  
When in use the holes on the MGO body are used to let the air in and heat out.
- 12 Do not attempt to store this product until all ashes and charcoals are completely extinguished.
- 13 Always use a safety tool and heat resistant gloves when adding or moving fuel.
- 14 Always use a safety tool and heat resistant gloves to move the grill shelf and mesh cover during use because this product will become very hot.
- 15 Do not leave a burning fire unattended.
- 16 Fire hazard-hot embers may emit while in use.
- 17 Do not overload this product with fuel. a few small logs, 1600g, is sufficient. Do not add additional fuel until the fire burns down.
- 18 Do not burn fuel directly on the firebowl base. Do burn on the log grate or ash.
- 19 Do keep the fuel away from the wall of the firebowl and the MGO as the high temperature may damage it.
- 20 Avoid breathing smoke from the fire and avoid getting it into your eyes.
- 21 Always thoroughly inspect this product before use.
- 22 A slight discoloration of finish may occur after use.

## Care and use

**SAFETY INFORMATION WARNING! This firepit/BBQ will become very hot, do not move it during operation. Do not use indoors!**

**WARNING! Do not use spirit or petrol for lighting or re-lighting! Use only firelighters complying to EN 1860-3!**

**WARNING! Keep children and pets away. Do not use the barbecue in a confined and/or habitable space E.g., houses, tents, caravans, motor homes, boats. Danger of carbon monoxide poisoning fatality. Do not use this appliance as a furnace.**

## Lighting a fire

- 1 Ensure this product is positioned on a permanent flat, level, heat resistant, non-flammable surface away from flammable items.
- 2 Make sure there is a small amount of ash in the firebowl bottom.
- 3 Place paper or dry kindling on the log grate in the centre of the firebowl bottom.
- 4 Place fuel on the paper or dry kindling.
- 5 Light the paper or dry kindling to start a fire.

## Tending to the fire

- 1 Add fuel to this product to increase the heat slowly when embers glow. Do not overload with fuel, only two small logs like 1600g, is sufficient.
- 2 When shifting logs, use a safety tool to allow for additional airflow.

## Extinguishing

To extinguish this product, stop adding fuel and allow fire to die or douse with sand. Do not use water as this may damage this product.

## Care and inspecting

- 1 This product should be inspected on a regular base to ensure product safety and longer product life.
- 2 This product should be cleaned after use to ensure longer product life. Do not use oven cleaner or abrasive cleaner as they will damage this product.
- 3 When not in use, cover this product once completely cooled with a cover to help protect it from bad weather.
- 4 Store this product in a dry location to maximise product life.
- 5 The surface of this product will age, discolor and develop surface rust as soon as it is placed outside and after use. This is to be expected, but it does not affect use and is not a product fault. To refresh the paint finish. Remove loose paint and rust from the metal with a wire brush when needed and re-paint using a high temperature paint, resistant to at least 600°C. To help reduce surface rust, rub this product with an oily rag after each use.

---

## Use as a BBQ

Before cooking ensure the cooking grill and tools are clean and free of old food residues. Add about 0.5kg of charcoal on the log grate and light according to the previous instructions. Place the grill into the firebowl ensuring it is stable. Do not cook before the fuel has a coating of ash. Ensure all food is cooked thoroughly before eating. After cooking do not remove the grill until it has completely cooled. After cooking always clean the grill and the tools.

---

### Streetwize.,

Suite GA, Marsland House,  
Marsland Road, Sale M33 3AQ

---

### For Product Support:

**E:** support@streetwize.co.uk

**T:** +44 (0)161 447 8597

### EU Regd. Address:

Ace Supply Co (Europe) Ltd.  
Dublin 2, D02 A098, Republic of Ireland

---

[www.streetwize.co.uk](http://www.streetwize.co.uk)