



GW462

Solar 50 LED Motion Sensor Flood Light

Information for use

Thank you for purchasing this product from Gardenwize. The instructions written below provide you with guidance on how to get best use of the product. We highly advise that you read these instructions before using the product.

Product Elements

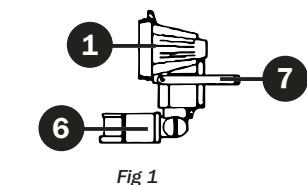


Fig 1

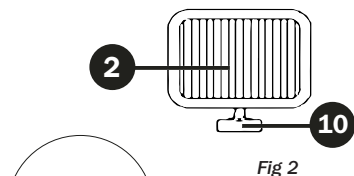


Fig 2

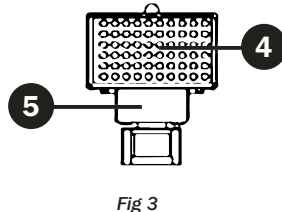


Fig 3

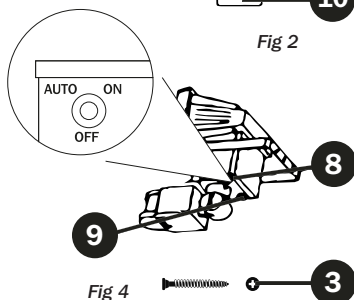


Fig 4

1. Lamp
2. Solar Panel
3. Expansion Screw
4. 50 LED Flood Light
5. Battery Compartment
6. Motion Detector Sensor
7. U-Shaped Mounting Plate
8. ON/OFF Switch
9. Battery Compartment Outlet
10. Solar Panel Mounting Bracket
11. LUX Adjusting Dial
(Shown in Fig 7.)
12. Time Adjusting Dial
(Shown in Fig 7.)
13. Lithium ion batteries
(Not Shown)

How It Works

This motion sensor solar light from Gardenwize is a unique eco-friendly product that acts as a visual deterrent for your home. This product comes with a built-in battery unit that is connected to an external solar panel via a 3m cable.

During the day, the solar panel absorbs solar energy to charge the battery. At night, the LED light automatically lights up as soon as it detects any motion.

Assembly Instructions

- Take the product out of its packaging.
- Find a suitable position on your home's wall for mounting both the solar panel and the motion sensor. **IMPORTANT:** please ensure the solar panel can get direct sunlight.

Mounting The Solar Panel

1. First, secure the provided bracket to the solar panel (see Figure 5).
2. Then position the bracket onto your wall and mark the holes with a suitable marker pen (included).
3. Once the holes have been marked, remove the bracket from the wall and drill holes with a suitable masonry bit (drill and masonry drill bit not included)
4. Get the provided screws and plugs. Insert the plugs into the drilled holes first, place the bracket the holes and screw into place (screwdriver not included). See Figure 6.
5. Adjust the angle of the solar panel to ensure it receives optimum sunlight.

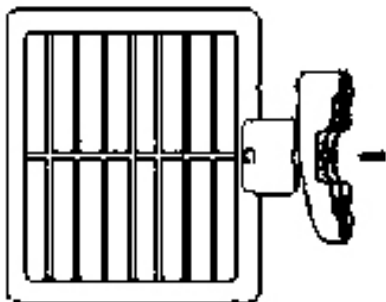


Fig 5

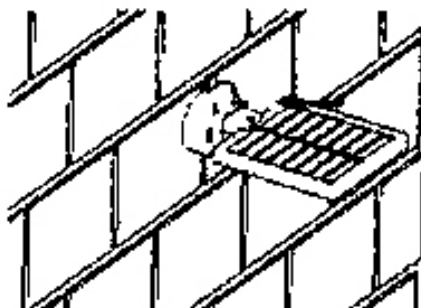


Fig 6

Mounting The Motion Sensor Light

1. Find a suitable location to mount the motion sensor light. Make sure this area is clear of obstacles such as cables and electric lines.
2. Using the 'U' shaped mounting plate located on the rear of the lamp, mark where you want to mount the lamp on your wall using a suitable marker pen Fig 1.
3. Once the holes have been marked, remove the mounting plate from the wall and drill holes with a suitable masonry bit (drill and masonry drill bit not included)
4. Get the provided screws and plugs. Insert the plugs into the drilled holes first, place the bracket the holes and screw into place (screwdriver not included).
5. Carefully route the power cord from the solar panel to the lamp and plug it into the battery housing input.
6. Adjust the motion sensor to where you want motion to be detected. You can move the sensor up and down by adjusting the screw on the neck of the motion detector.

NOTE: The motion sensor light unit should be mounted 2 - 3 meters (6.5 - 9.8ft) from the ground to ensure motion detection is optimised.

Usage Instructions

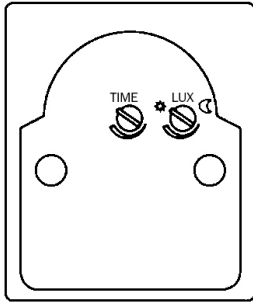


Fig 7

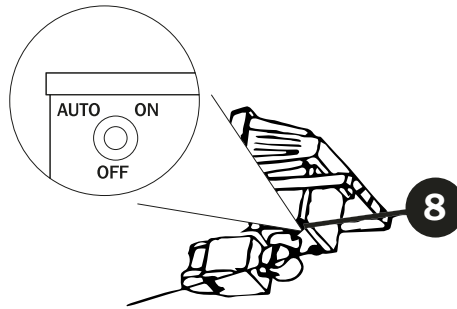


Fig 4a

Located on the front of the light there is a switch with 2 positions. (8) Fig 4a.

- a. 'On' - When the switch is in the 'On' position, the light will automatically turn on detecting any motion.
- b. 'Off' - When the switch is in the 'Off' position, the light will remain off and will not detect any movement.

Using the Control Dials

The 50 LED light has two different control dials which will allow you to adjust the LUX and Time (Figure &, as explained below.

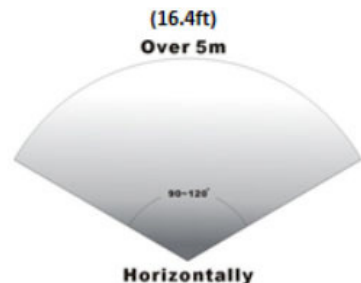
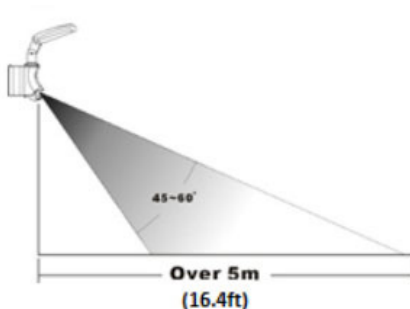
LUX

- This is the level of darkness reached before the light turns on
- If set to maximum level, the light will turn on in most situations ranging from dusk to daylight.
- If set to minimum, the sensor will only trigger when it's dark. This is the most ideal position for general evening and night operation.

TIME

- The Time adjusting dial will set the duration of time the light will stay illuminated for after motion has been detected.
- The time can be adjusted from 8 seconds up to 2 minutes.
- Rotating the dial clockwise will extend the time the lamp is illuminated.

Motion Detection Range



Maintenance & Troubleshooting

If the security light does not illuminate when there is movement in front of the sensor, please ensure you carry out the following troubleshooting procedures:

- Ensure the solar panel is in a location where it will receive maximum sunlight during daytime hours.
- Clean solar cells with a damp towel, do not apply excessive pressure and avoid the use of any solvents or cleaning agents on the solar cells.
- Ensure the switch is set to 'on'.
- Check batteries are installed correctly.
- Allow the panel to charge in direct sunlight for two days to confirm the batteries are fully charged.
- Replace the battery (Note: Rechargeable battery may last up to 500-800 charges. For best performance, replace battery every 8-12 months).

Battery Replacement

The batteries are located inside the battery compartment at the front of the lamp (5) (see Figure 3)

- Unscrew the battery compartment cover by using a Phillips head screwdriver (not included).
- Open the compartment carefully and ensure that the battery terminals are not damaged.
- Remove the old depleted battery and replace it with 1x rechargeable 18650 3.7V 2200mAh Li-ion battery.
- Secure the battery compartment in place using the screws.

ATTENTION: Batteries must be recycled or disposed of in accordance with your local authority guidelines. Do not dispose of these near an exposed heat source or open flame or into your normal household waste. Remove the battery from the product if it is to be stored for a long period of time. Removal and/or replacement of the battery should only be carried out by an adult or under adult supervision.

Health & Safety

- Do not install close to flames or flammable gasses.
- Keep away from children.
- Do not install on an unstable surface/position.
- Do not stare directly at the lights while they are on.
- To prevent the unit from falling, install the base unit tightly with expansion screw
- Solar Security light, cannot prevent crimes, its invented to alarm use of motion
- Do not install in close proximity to other light sources

Technical Specifications

Product Name

Gardenwize Solar Motion Sensored Flood Light

Supplier Code

GW462

Battery

18650 1200mAh Li-On



Streetwize, Ashburton Road West,
Trafford Park, Manchester, M17 1RY

EU Regd. Address: Ace Supply Co (Europe) Ltd. D02 A098, ROI

www.streetwizeaccessories.com

For Product Support:

E: support@streetwizeaccessories.com

T: +44 (0)161 447 8597

For Trade Enquiries:

E: sales@streetwizeaccessories.com

T: +44 (0)161 447 8580