



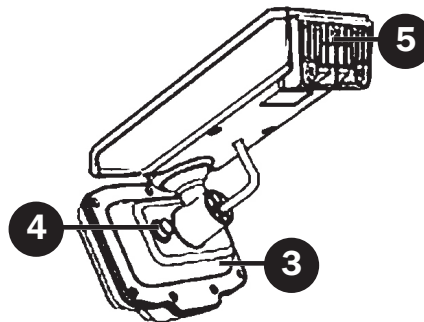
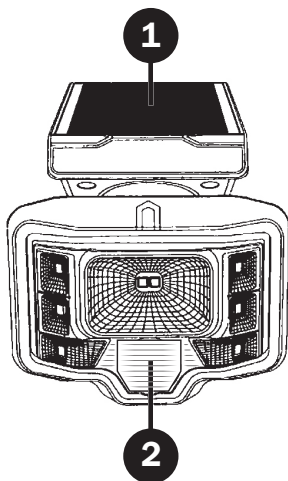
GW426

Solar-Powered Security Light with Motion Sensor

Information for use _____

Thank you for purchasing this product from Gardenwize. The instructions written below provide you with guidance on how to get best use of the product. We highly advise that you read these instructions before using the product.

Product Elements



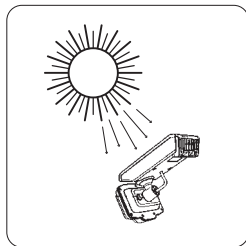
1. Solar panel
2. Motion sensor
3. Lamp holder
4. Switch
5. Mounting bracket
6. Mounting screws and plugs

How It Works?

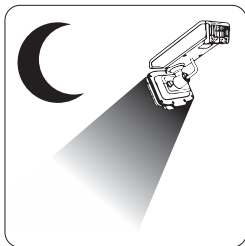
This motion sensor solar light from Gardenwize is a unique eco-friendly product that acts as a visual deterrent for your home. This product comes with a built-in battery unit that is connected to the solar panel of this product.

During the day, the solar panel absorbs solar energy to charge the battery. At night, this motion sensor will operate two different kinds of lighting:

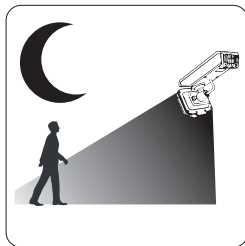
1. A dim light that automatically comes on at night.
2. A bright flood light that comes once motion has been detected. This bright light will last for 20 seconds and then it will revert back to the dim light.



During the day, the solar panel absorbs solar energy to charge the battery.



At night, the motion sensor will operate two different kinds of lighting:
A dim light that automatically comes on at night.



A bright flood light that comes once motion has been detected



This bright light will last for 20 seconds and then it will revert back to the dim light.

Assembly Instructions

1. Take the product out of its packaging.
2. Find a suitable position on your home's wall.
IMPORTANT: please ensure the solar panel can get direct sunlight and the unit is mounted between 2 to 2.5m above ground for the optimum performance of the motion sensor.
3. Remove the mounting bracket from the solar light.
4. With the mounting bracket, position it onto your wall and use a suitable marker pen to mark the holes.
5. Once the holes have been marked, remove the mounting bracket from the wall and drill holes with a suitable masonry bit (drill and masonry drill bit not included)
6. Get the provided screws and plugs. Insert the plugs into the drilled holes first, place the bracket over the holes and screw into place (screwdriver not included).
7. Turn on the motion sensor light via the button switch located behind the light.
8. Secure lamp on to the bracket.

Turn On/Off

The switch is located near the battery unit found on the bottom of the unit. To turn on, simply press the button to turn 'ON'. To switch off, just press the button again 'OFF'.

Battery Replacement

It is not recommended to replace the battery as disassembling the product affects the waterproof capabilities or it may damage the light.

ATTENTION: This product must be recycled or disposed of in accordance with your local authority guidelines. Do not dispose of this product near an exposed heat source or open flame or into your normal household waste.

Frequently Asked Questions

Why does the light not work?

- Make the switch is set to "ON".
- The light is design to operate at night. During daylight, the light is automatically set to off so that solar panel can charge the battery
- Battery is low. You will need to charge the battery via the solar panel.
- Please ensure the solar panel is getting direct sunlight so that it can charge the battery

How come the motion sensor is not detecting any motion?

- Please ensure that the light has been mounted between 2m to 2.5m above ground.
- Cold temperature can affect motion sensor's performance

Why does the light work for a short time?

- The working time depends on the location as well as geographical location, climate, season and the amount of sunlight that panel can absorb
- The more solar energy the panel can absorb, the longer the working light time.
- Adverse weather conditions such as rain, snow and cloud will affect the charge.

What is the optimum charge time?

The solar panel should receive atleast 6 hours of direct sunlight for a full charge.

Is the lamp waterproof?

If the lamp has been properly installed, then yes, the lamp is waterproof.

Why is the light not bright?

The level of charge can affect the brightness.
There are two light modes (see How it Works?)

Health & Safety

- Do not use the lights if the insulation or bulb have been damaged.
- Never allow the product to come into contact with excessive heat or naked flame.
- This product is not a toy. Keep away from pets and children, ensuring that children are supervised at all times.
- When disposing of this product, please do so in line with your local authority guidelines.

Technical Specifications

Product Name	Gardenwize Solar-Powered Security Light W/ Motion Sensor
Supplier Code	GW426
Battery	3.7V 2000mAh
Solar Panel	5.5V 260mAh
LED Light	20 LED light
Motion detecting distance	5 metres (16ft)
Motion detecting angle	120 degrees
Recommended Installation height	2m to 2.5m (6.5ft to 8.2ft)
Material	ABS plastic



Streetwize, Ashburton Road West,
Trafford Park, Manchester, M17 1RY

For Product Support:

E: support@streetwizeaccessories.com

T: +44 (0)161 447 8597

For Trade Enquiries:

E: sales@streetwizeaccessories.com

T: +44 (0)161 447 8580

EU Regd. Address: Ace Supply Co (Europe) Ltd. D02 A098, ROI

www.streetwizeaccessories.com