



streetwize

GW417

2in1 Solar Flame/Bug Zapper Lantern

Information for use _____

Thank you for purchasing this product from Streetwise Garden. The instructions written below provide you with guidance on how to get best use of the product. We highly advise that you read these instructions before using the product.

Product Elements

- 2-in-1 Solar Yellow Flame/Bug Zapper Lantern
 - Ground Spike
-

How It Works?

This solar light features a flame-effect flicker LED light as well as a blacklight LED that acts as a bug zapper.

The solar light comes with a solar panel that absorbs sunlight to charge the built-in battery. At night, either the flame-effect LED light or blacklight LED comes on at night, depending on the chosen setting.

When the blacklight LED comes on, the bugger zapper is also activated.

On First Use

Before using this product, remove the protective film from the solar panel.

We also advise that you fully charge the battery by placing the solar panel under direct sunlight for a full 24 hour period.

Assembly Instructions

The lantern comes assembled out of the packaging. If you position this lantern on soft ground, you can attach the ground spike onto the base of the lantern.

Where to Position The Solar Panel

The solar panel **MUST** be under **DIRECT SUNLIGHT** in order for the battery to charge.

We highly advise to avoid positioning the solar panel where there is a lot of shade or there is low light as this will prevent the battery from getting charged. And we also advise to not position the light near sources of artificial light that come on at night such as street lights as this will affect performance of light.

Other factors such as weather conditions and the number of hours of daylight will also affect the performance as well.

Turning On and Off

The switch is located on the reverse side of the solar panel. First, unscrew the cap of the lantern and locate the switch. Here, you can set the light to either flicker LED or bug zapper.

Maintenance & Troubleshooting

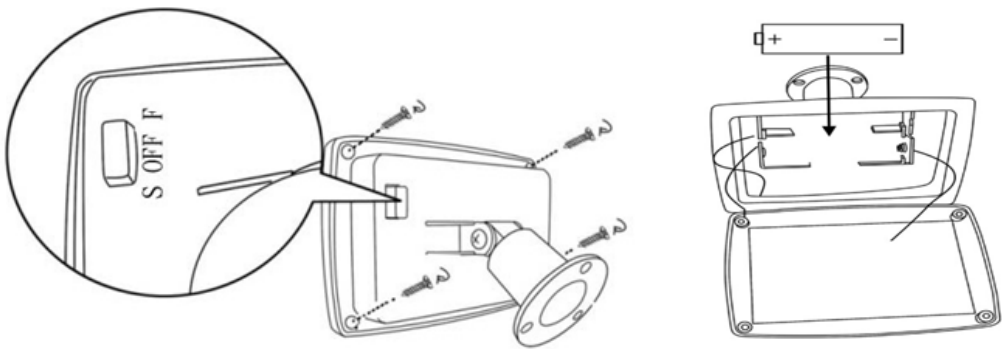
Make sure the switch is set to “ON”.

Keep the solar panel clean.

If a solar product does not light up after it has been used for around 8 – 12 months, replace the rechargeable battery as it may be weak or worn out. (Battery 1x AA 1.2v 400mAh, Ni-MH, Rechargeable). Never use another battery with a different spec.

Battery Replacement

1. First set the switch to “OFF”.
2. Unscrew the battery compartment cover by using a Phillips head screwdriver (not included).
3. Open the compartment carefully and ensure that the battery terminals are not damaged.
4. Remove the old depleted battery and replace it with 1 x new AA rechargeable battery.
5. Secure the battery compartment in place using the screws.



ATTENTION: Batteries must be recycled or disposed of in accordance with your local authority guidelines. Do not dispose of these near an exposed heat source or open flame or into your normal household waste. Remove the battery from the product if it is to be stored for a long period of time. Removal and/or replacement of the battery should only be carried out by an adult or under adult supervision.

Health & Safety

- Do not use the lights if the insulation or bulb have been damaged.
- Never allow the product to come into contact with excessive heat or naked flame.
- This product is not a toy. Keep away from pets and children, ensuring that children are supervised at all times, especially when the bug zapper has been enabled..
- When disposing of this product, please do so in line with your local authority guidelines.

Technical Specifications

Name

2-in-1 Solar Yellow Flame/Bug Zapper Lantern

Supplier Code

GW417

Battery

1.2V AA 400mAh Ni-MH



Streetwize,
Suite GA, Marsland House,
Marsland Road, Sale M33 3AQ

For Product Support:
support@streetwize.co.uk

EU Regd. Address:
Ace Supply Co (Europe) Ltd.
D02 A098, Republic of Ireland

www.streetwize.co.uk
