



**GW400**

# **2m – 10 Piece – Solar Filament LED Bulb String Lights**

Information for use \_\_\_\_\_



**Thank you for purchasing this product from Streetwize Garden. The instructions written below provides you with guidance on how to get best use of the product. We highly advise that you read these instructions before using the product.**

---

## **How It Works?**

These dazzling solar string lights come with an external solar panel that has a built-in rechargeable battery. During the day, this solar panel absorbs solar energy which gets stored in the rechargeable battery. At night, the LED lights of this solar string light will illuminate using this stored energy, bringing charm and personality to your garden area.

---

## **On First Use**

Before using this product, remove the protective film from the solar panel. We also advise that you fully charge the battery by placing the solar panel under direct sunlight for a full 24 hour period.

---

## **Assembly**

1. Carefully remove the product from its packaging.
  2. Unravel the cable, taking care not to stretch the cable or damage the lights.
  3. Attach the ground spike to the solar panel.
  4. Position these lights in a suitable location..
  5. Once the string lights are in position, position the solar panel in your garden bed. When positioning the solar panel, ensure that it is getting direct sunlight (please see next section).
- 

## **Where to Position The Solar Panel**

The solar panel **MUST** be under **DIRECT SUNLIGHT** in order for the battery to charge.

We highly advise to avoid positioning the solar panel where there is a lot of shade or there is low light as this will prevent the battery from getting charged. And we also advise to not position the light near sources of artificial light that come on at night such as street lights as this will affect performance of light.

Other factors such as weather conditions and the number of hours of daylight will also affect the performance as well.

## Usage Instructions

This solar string light comes with two light functions. There is the Steady light mode and there is the Flashing light mode.

You can set the which function you would like via the switch located on the reverse side of the solar panel

For Steady mode, set the switch to “S”

For Flashing mode, set the switch to “F”

To switch off, set the switch to “OFF”

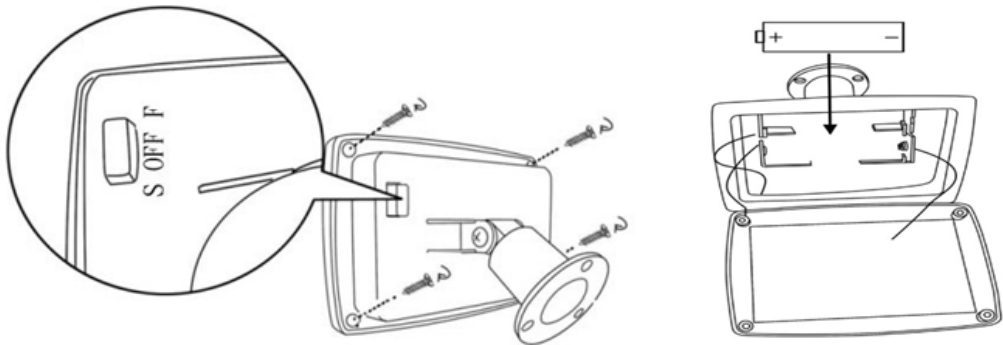
---

## Maintenance & Troubleshooting

- Make sure the switch is set to either “S” or “F” position.
- Keep the solar panel clean.
- If a solar product does not light up after it has been used for around 8 – 12 months, replace the rechargeable battery as it may be weak or worn out. (Battery 1x “AA” 1.2V 600mAh, Ni-MH, Rechargeable). Never use another battery with a different spec.

---

## Battery Replacement



1. First set the switch to “OFF”.
2. Unscrew the battery compartment cover by using a Phillips head screwdriver (not included).
3. Open the compartment carefully and ensure that the battery terminals are not damaged.
4. Remove the old depleted battery and replace it with 1 x new AA rechargeable battery.
5. Secure the battery compartment in place using the screws.

**ATTENTION:** Batteries must be recycled or disposed of in accordance with your local authority guidelines. Do not dispose of these near an exposed heat source or open flame or into your normal household waste. Remove the battery from the product if it is to be stored for a long period of time. Removal and/or replacement of the battery should only be carried out by an adult or under adult supervision.

## Health & Safety

- Do not use the lights if the insulation or bulb have been damaged.
- Never allow the product to come into contact with excessive heat or naked flame.
- This product is not a toy. Keep away from pets and children, ensuring that children are supervised at all times.
- When disposing of this product, please do so in line with your local authority guidelines.

## Technical Specifications

<b>Name</b>	2m - 10 Piece - Solar Filament LEB Bulb String Lights
<b>Supplier Code</b>	GW400
<b>Battery</b>	1.2V AA 600mAh Ni-MH rechargeable battery
<b>Leadwire</b>	2m total length
<b>Solar Panel</b>	2V 80mA



**Streetwize,**  
Suite GA, Marsland House,  
Marsland Road, Sale M33 3AQ

**For Product Support:**  
[support@streetwize.co.uk](mailto:support@streetwize.co.uk)

**EU Regd. Address:**  
Ace Supply Co (Europe) Ltd. D02 A098, ROI

[www.streetwize.co.uk](http://www.streetwize.co.uk)