



GW302

---

# Solar Cherry Flower Tree Lights

Information for use

---



## How It Works

This dazzling solar stake light comes with a solar panel attached on the side, just above the stake. The solar panel absorbs solar energy during the day to recharge the included rechargeable battery. At night, the LED lights automatically illuminate, bringing charm and personality to your garden area.

---

## Assembly

1. Remove the solar product out of its packaging. Take extra care when unravelling the cable connected to the external solar panel.
  2. Then, space out the LED lights on the tree light so that it resembles a flower tree.
  3. Attach the ground spike to the external solar panel.
  4. Position the tree light into your garden bed by pushing it in the ground.
  5. Then position the external panel into your garden bed, ensuring the panel is getting direct sunlight.
- 

## On First Use

Before using this product, we advise that you fully charge the battery by placing the solar panel under direct sunlight for a full 24 hour period.

---

## Where to Put The Solar Light

The solar panel **MUST** be under **DIRECT SUNLIGHT** in order for the battery to charge.

We highly advise to avoid positioning the solar panel where there is a lot of shade or there is low light as this will prevent the battery from getting charged. And we also advise to not position the light near sources of artificial light that come on at night such as street lights as this will affect performance of the light.

Other factors such as weather conditions and the number of hours of daylight will also affect the performance as well.

---

## Usage Instructions

This solar string light comes with two light functions. There is the Steady light mode and there is the Flashing light mode.

You can set the which function you would like via the switch located on the reverse side of the solar panel

For Steady mode, set the switch to “S”

For Flashing mode, set the switch to “F”

To switch off, set the switch to “OFF”

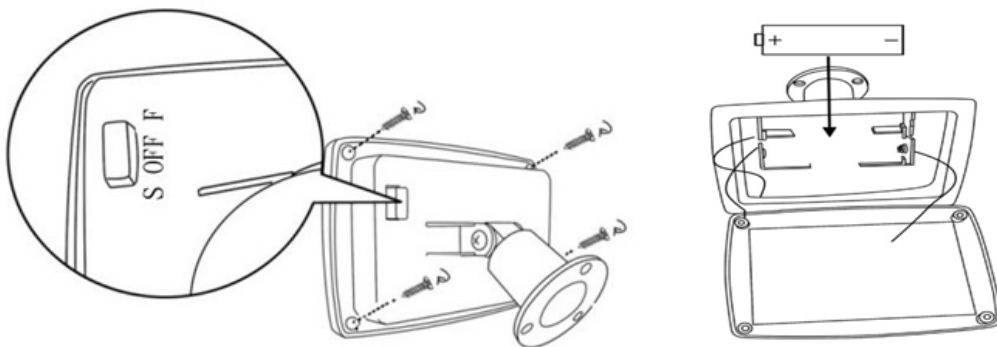
---

## Maintenance & Troubleshooting

- Make sure the switch is set to either “S” or “F” position.
- Keep the solar panel clean.
- If a solar product does not light up after it has been used for around 8 – 12 months, replace the rechargeable battery as it may be weak or worn out. (Battery 1 pc “AA” 1.2V 800mAh, Ni-MH, Rechargeable). Never use another battery with a different spec.

---

## Battery Replacement



1. First set the switch to “OFF”.
2. Unscrew the battery compartment cover by using a Phillips head screwdriver (not included).
3. Open the compartment carefully and ensure that the battery terminals are not damaged.
4. Remove the old depleted battery and replace it with 1 x new AA rechargeable battery.
5. Secure the battery compartment in place using the screws.

**ATTENTION:** Batteries must be recycled or disposed of in accordance with your local authority guidelines. Do not dispose of these near an exposed heat source or open flame or into your normal household waste. Remove the battery from the product if it is to be stored for a long period of time. Removal and/or replacement of the battery should only be carried out by an adult or under adult supervision.

## Health & Safety

- Do not use the lights if the insulation or bulb have been damaged.
- Never allow the product to come into contact with excessive heat or naked flame.
- This product is not a toy. Keep away from pets and children, ensuring that children are supervised at all times.
- When disposing of this product, please do so in line with your local authority guidelines.

---

## Technical Specification

<b>Name</b>	Solar Cherry Tree Flower Light
<b>Supplier Code</b>	GW302
<b>LED</b>	16 Multi-Colour LEDs (on each tree)
<b>Battery</b>	1.2V AA 800mAh NI-MH
<b>Size</b>	120cm (Height)



---

### Streetwize,

Suite GA, Marsland House,  
Marsland Road, Sale M33 3AQ

---

### For Product Support:

**E:** support@streetwize.co.uk

**T:** +44 (0)161 447 8597

### EU Regd. Address:

Ace Supply Co (Europe) Ltd.  
D02 A098, Republic of Ireland

---

[www.streetwize.co.uk](http://www.streetwize.co.uk)