



GW287

Solar Crackle Ball Stake Lights (Set of 6)



Information For Use

THANK YOU FOR PURCHASING THIS SET OF 6 SOLAR CRACKLE BALL STAKE LIGHTS FROM GARDENWIZE. THE INSTRUCTIONS WRITTEN BELOW PROVIDES YOU WITH GUIDANCE ON HOW TO BEST USE THE PRODUCT. WE HIGHLY ADVISE THAT YOU READ THESE INSTRUCTIONS BEFORE USING THE PRODUCT.

Please note, these solar stake lights have been specially designed for decorating your garden bed. The provided stainless steel stake is ONLY suitable for your garden bed, and not any other type of ground.

How It Works?

These dazzling solar stake lights come with a built-in solar panel found inside the crackle ball spheres, which absorbs solar energy during the day to recharge the included rechargeable battery. At night, the LED light inside the crackle ball automatically illuminates, bringing charm and personality to your garden area.

Assembly

See Figure 1 below which shows you how to assemble the stake lights. Ensure each component is securely pushed into place.

When placing these stake lights into your garden bed, simply push into the ground. Do NOT hammer in as this will cause damage. See Figure 2

On First Use

Each of these solar stake lights come with a solar panel located inside the crackle ball sphere. Before using this product, we advise that you fully charge the battery by placing the solar panel under direct sunlight for a full 24 hour period.

Where to Place These Solar Stake Lights?

The solar panel on these stake lights MUST be under DIRECT SUNLIGHT in order for the battery to charge.

We highly advise to avoid positioning the solar panel where there is a lot of shade or there is low light as this will prevent the battery from getting charged. And we also advise to not position the light near sources of artificial light that come on at night such as street lights as this will affect performance of light.

Other factors such as weather conditions and the number of hours of daylight will also affect the performance as well.

These stake lights are designed to be placed into your garden bed.

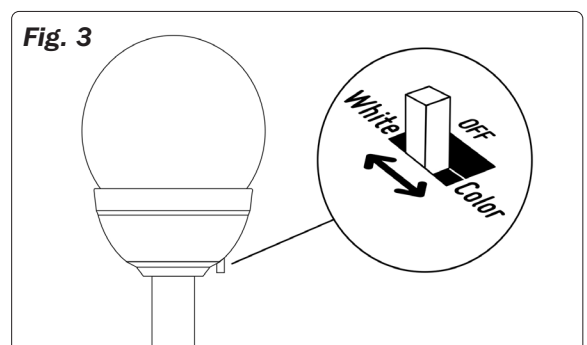
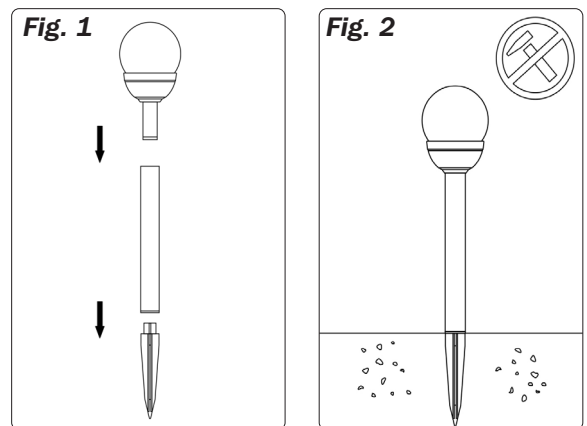
Dual Function Features

These solar stake lights come with dual function. The first function gives a solid white light. The second function provides a dazzling changing colour display.

To activate either of these functions, please locate the slider switch at the base of the light (see Figure 3), and set to either 'White' for solid white light or 'Colour' for changing colour.

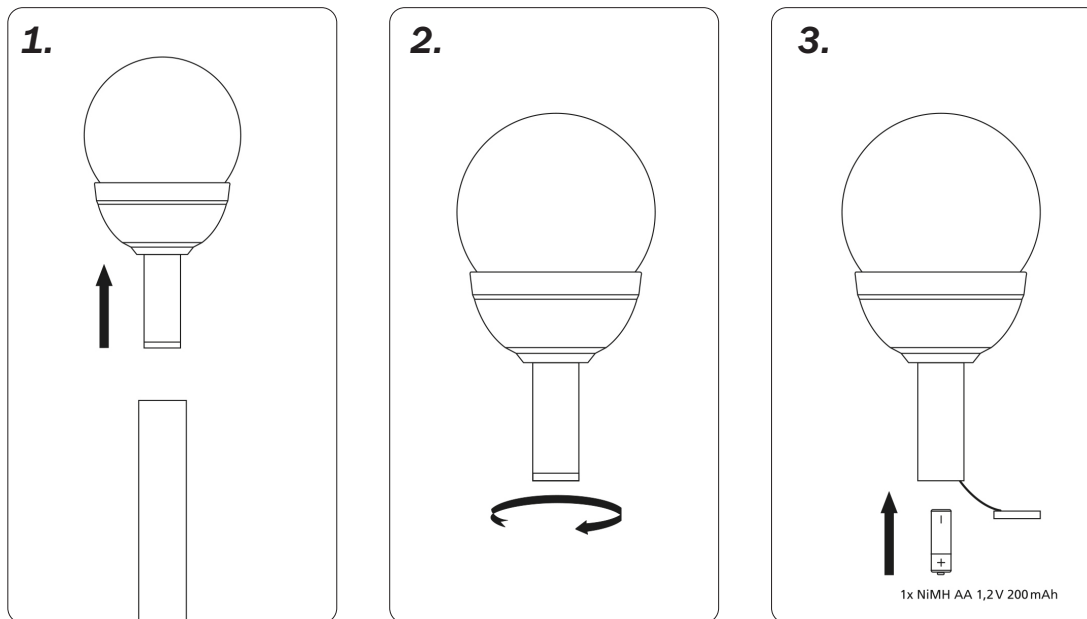
The solar lights will automatically turn on at dusk and shut off at dawn.

To turn off, set to 'OFF'.





Battery Replacement (Battery Specifications: Ni-MH AA 1.2V 200mAh)



ATTENTION: Battery must be recycled or disposed properly. Do not dispose of batteries near the source of fire or into trash directly. Remove battery from product if storing product for a long period of time. Removal and replacement of battery should be carried out by an adult or under adult supervision.

Health & Safety

- Do not use the lights if the insulation or bulb have been damaged.
- Never allow the product to come into contact with excessive heat or naked flame.
- This product is not a toy. Keep these lights away from pets and ensure that children are supervised and do not play with them.
- When disposing this product, please do so in the correct manner. Never dispose/ incinerate in a fire.

Technical Specifications

Product	Solar Crackle Ball Stake Lights (Set of 6)
Supplier code	GW287
Quantity	6
Battery	Ni-MH AA 1.2V 200mAh Rechargeable Battery
Size (of each)	8 x 8 x 37 cm
Diameter of Crackle Ball	8cm
LED	1 white LED+ 1 color changing LED
Material	Stainless steel (Stake) Glass (Crackle Ball)

