



GW285

Solar LED Curtain Lights – Warm White

Information for use _____

Thank you for purchasing these Solar LED Curtain Lights from Gardenwize. The instructions written below provide you with guidance on how to get the best use of the product. We highly advise that you read these instructions before using the product.

These curtain lights are perfect for decorating canopies, patios and decking and they provide an enchanting illumination at night.

Product contents

Solar LED Curtain Lights

Solar panel with battery unit

Ground spike

How It Works

These elegant and mesmerising solar LED curtain lights come with an external solar panel which absorbs solar energy during the day to charge the included rechargeable battery. At night, the LEDs on the curtains automatically illuminates, bringing charm and personality to your garden area.

Assembly

These curtain lights already come assembled and are already connected to the solar panel. However, you will need to attach the ground spike to the solar panel.

Once assembled, position the solar panel into your garden bed, ensuring that it is correctly positioned and the panel is under direct sunlight.

On First Use

Before using this product, we advise that you fully charge the battery by placing the solar panel under direct sunlight for a full 24 hour period.

Where to Place The Solar Panel

The solar panel **MUST** be under **DIRECT SUNLIGHT** in order for the battery to charge.

We highly advise to avoid positioning the solar panel where there is a lot of shade or there is low light as this will prevent the battery from getting charged. And we also advise to not position the light near sources of artificial light that come on at night such as street lights as this will affect performance of the lights.

Other factors such as weather conditions and the number of hours of daylight will also affect the performance as well.

Usage Instructions

This solar string light comes with two light functions. There is the Steady light mode and there is the Flashing light mode.

You can set the which function you would like via the switch located on the reverse side of the solar panel

For Steady mode, set the switch to “S”

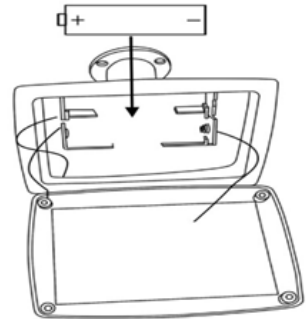
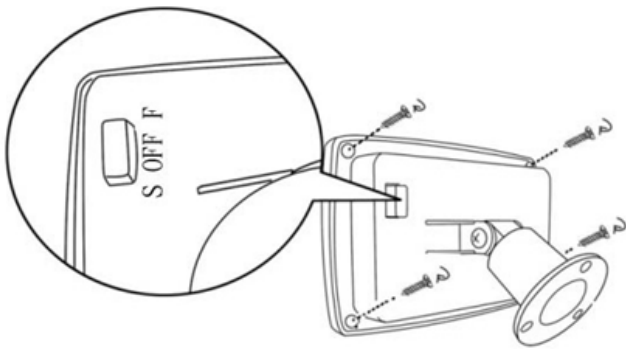
For Flashing mode, set the switch to “F”

To switch off, set the switch to “OFF”

Maintenance & Troubleshooting

- Make sure the switch is set to either “S” or “F” position.
- Keep the solar panel clean.
- If a solar product does not light up after it has been used for around 8 – 12 months, replace the rechargeable battery as it may be weak or worn out. (Battery 1 pc “AA” 1.2V 600Mah, Ni-MH, Rechargeable). Never use another battery with a different spec.

Battery Replacement



Health & Safety

- Do not use the lights if the insulation or bulb have been damaged.
- Never allow the product to come into contact with excessive heat or naked flame.
- This product is not a toy. Keep away from pets and children, ensuring that children are supervised at all times.
- When disposing of this product, please do so in line with your local authority guidelines.

Technical Specification

Name	Gardenwize Solar LED Curtain Lights - Warm White
Supplier Code	GW285
Light Modes	Dual Function (solid and flashing)
Battery	Ni-NH AA 1.2V 600mAh Rechargeable Battery
Dimensions	Curtain: 1.5m (width of curtain) x 1.5m (length LED Light String)
Number Of Strands	12 (16 LED lights per strand)
LED	192 LEDs
Material	Polypropene



Streetwize,

Suite GA, Marsland House,
Marsland Road, Sale M33 3AQ

For Product Support:

E: support@streetwize.co.uk

T: +44 (0)161 447 8597

EU Regd. Address:

Ace Supply Co (Europe) Ltd.
D02 A098, Republic of Ireland

www.streetwize.co.uk